

# De snelste weg naar innovatie.

New Energy Forum



Jerry de Vos

*“If I have seen further than others, it is by standing on the shoulders of giants.”*

- Isaac Newton



# Patenten

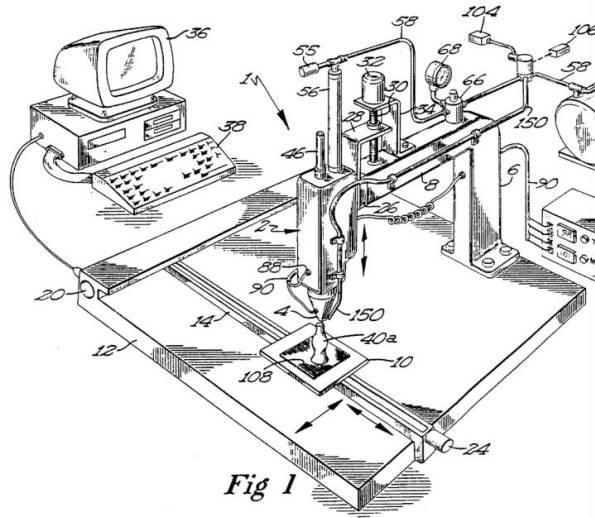


Fig 1

(1989) US5121329A

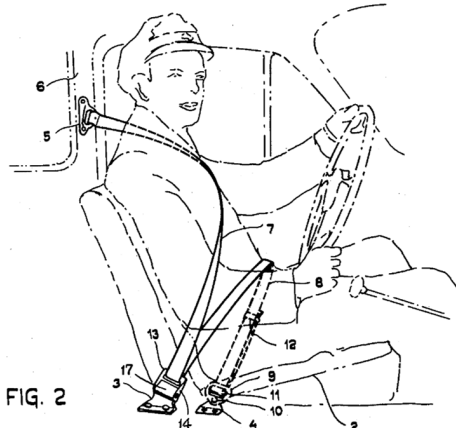




FIG. 2

(1959) US3043625A

(19)  (11)  EP 1 016 242 B1

(12) EUROPEAN PATENT SPECIFICATION

(43) Date of publication and mention of the grant of the patent:  
14.03.2007 Bulletin 2007/11

(21) Application number: 98944603.9

(22) Date of filing: 15.09.1998

(51) Int. Cl.:  
H04L 12/29 (2006.01)

(86) International application number:  
PCT/SE1998/001646

(87) International publication number:  
WO 1999/01498 (23.03.1999 Gazette 1999/12)

(54) CONTEMPORANEOUS CONNECTIVITY TO MULTIPLE PICONETS  
GLEICHZEITIGE VERBINDUNG ZU MEHREREN PICONETZEN  
CONNECTIVITE SIMULTANEE AVEC DE MULTIPLES PICONETS

(84) Designated Contracting States:  
BE DE ES FR GB GR IT SE

(30) Priority: 17.08.1997 US 932244

(43) Date of publication of application:  
09.02.2000 Bulletin 2000/27

(73) Proprietor: TELEFONAKTIEBOLAGET LM  
ERICSSON (publ)  
164 83 Stockholm (SE)

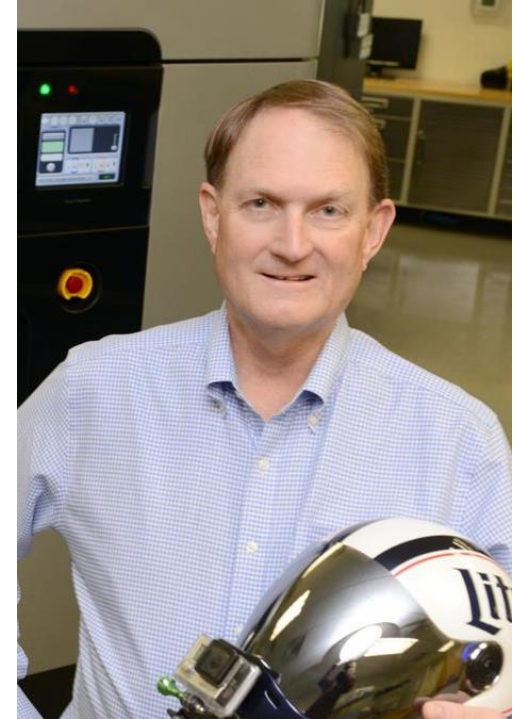
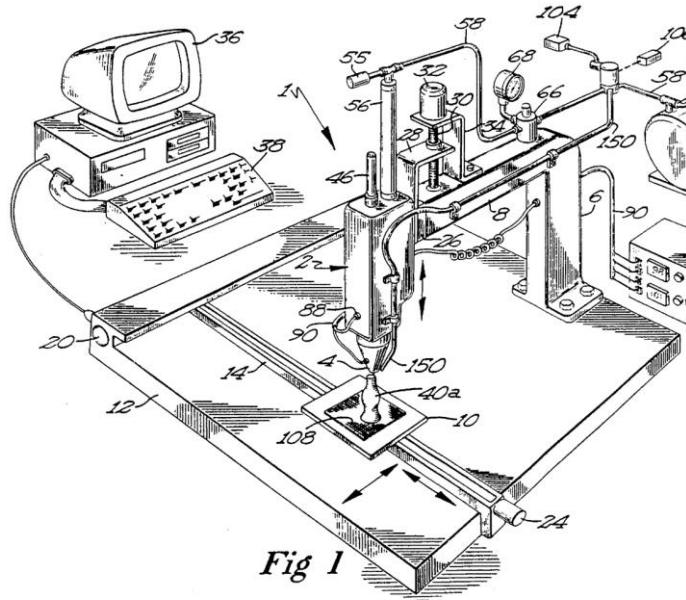
(72) Inventor: HARTSEN, Jacobus  
Mu-7623 De Borne (NL)

(74) Representative: Askatorp, Göran  
Ström & Gulliksson AB  
P.O. Box 763  
230 21 Lund (SE)

(56) References cited  
EP-A- 0 735 789 WO-A-96/09731  
US-A- 5 246 282 US-A- 5 617 528  
US-A- 5 664 007 US-A- 5 664 364

(1997) EP1016242

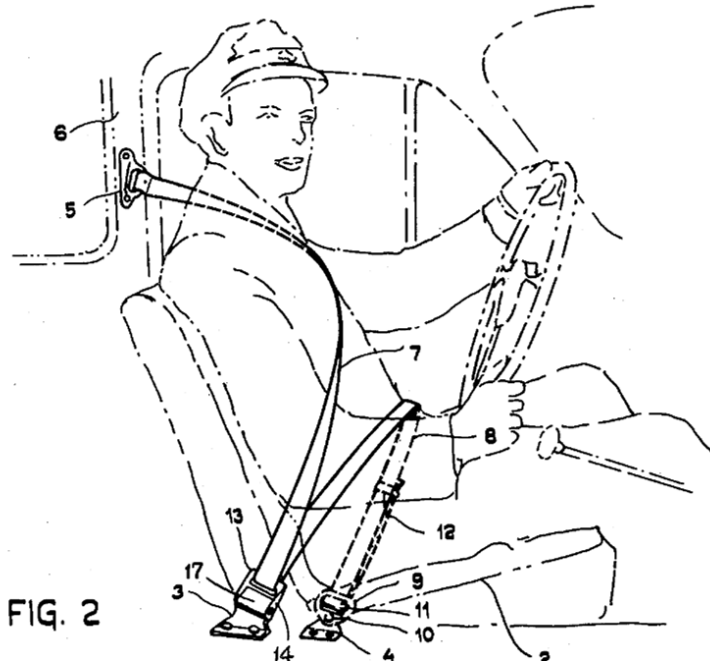
# Scott Crump - (1989) US5121329A



source: [bizjournal.com](http://bizjournal.com)



# Nils Bohlin - (1959) US3043625A



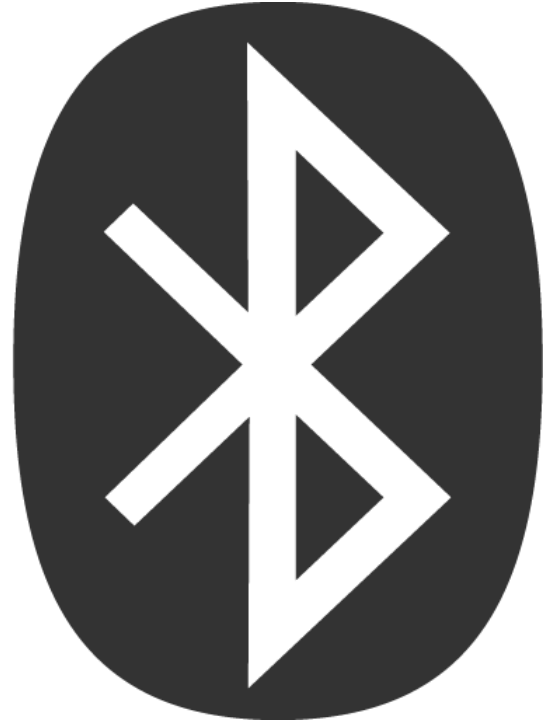
source: [mwtv.in](http://mwtv.in)

# Jaap Haartsen - (1989) US5121329A

(19) 	
	(11) EP 1 016 242 B1
(12) EUROPEAN PATENT SPECIFICATION	
(45) Date of publication and mention of the grant of the patent: 14.03.2007 Bulletin 2007/11	(51) Int. Cl.: H04L 12/28 (2006.01)
(21) Application number: 98944403.9	(86) International application number: PCT/SE1998/001646
(22) Date of filing: 15.09.1998	(87) International publication number: WO 1999/014898 (25.03.1999 Gazette 1999/12)
(54) CONTEMPORANEOUS CONNECTIVITY TO MULTIPLE PICONETS GLEICHZEITIGE VERBINDUNG ZU MEHREREN PICONETZEN CONNECTIVITE SIMULTANEE AVEC DE MULTIPLES PICONETS	
(84) Designated Contracting States: BE DE ES FI FR GB GR IT SE	(72) Inventor: HAARTSEN, Jacobus NL-7623 DK Borne (NL)
(30) Priority: 17.09.1997 US 932244	(74) Representative: Asketorp, Göran Ström & Gulliksson AB P O Box 793 220 07 Lund (SE)
(43) Date of publication of application: 05.07.2000 Bulletin 2000/27	(56) References cited: EP-A- 0 735 789 WO-A-96/09731 US-A- 5 546 382 US-A- 5 617 539 US-A- 5 664 007 US-A- 5 666 364
(73) Proprietor: TELEFONAKTIEBOLAGET LM ERICSSON (publ) 164 83 Stockholm (SE)	



Source: [European Patent Office/Flickr](#)





# Patenten

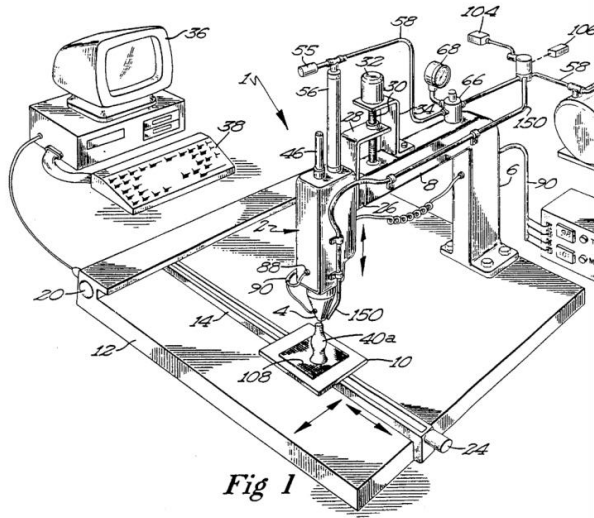


Fig 1

(1989) US5121329A

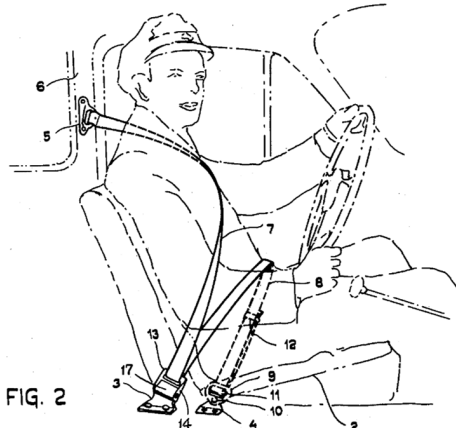




FIG. 2

(1959) US3043625A

(19)  (11)  EP 1 016 242 B1

(12) EUROPEAN PATENT SPECIFICATION

(43) Date of publication and mention of the grant of the patent: 14.03.2007 Bulletin 2007/11

(21) Application number: 98944603.9

(22) Date of filing: 15.09.1998

(51) Int. Cl.: H04L 12/29 (1996.01)

(86) International application number: PCT/SE1998/001646

(87) International publication number: WO 1999/014988 (25.03.1999 Gazette 1999/12)

(54) CONTEMPORANEOUS CONNECTIVITY TO MULTIPLE PICONETS  
GLEICHZEITIGE VERBINDUNG ZU MEHREREN PICONETZEN  
CONNECTIVITE SIMULTANEE AVEC DE MULTIPLES PICONETS

(84) Designated Contracting States: BE, DE, ES, FR, GB, GR, IT, SE

(30) Priority: 17.08.1997 US 932244

(43) Date of publication of application: 09.02.2000 Bulletin 2000/27

(73) Proprietor: TELEFONAKTIEBOLAGET LM ERICSSON (publ) 164 83 Stockholm (SE)

(72) Inventor: HARTSEN, Jacobus Niels (258, Bornse Steeg)

(74) Representative: Aukatorp, Göran Ström & Gulliksson AB P.O. Box 763 220 21 Lund (SE)

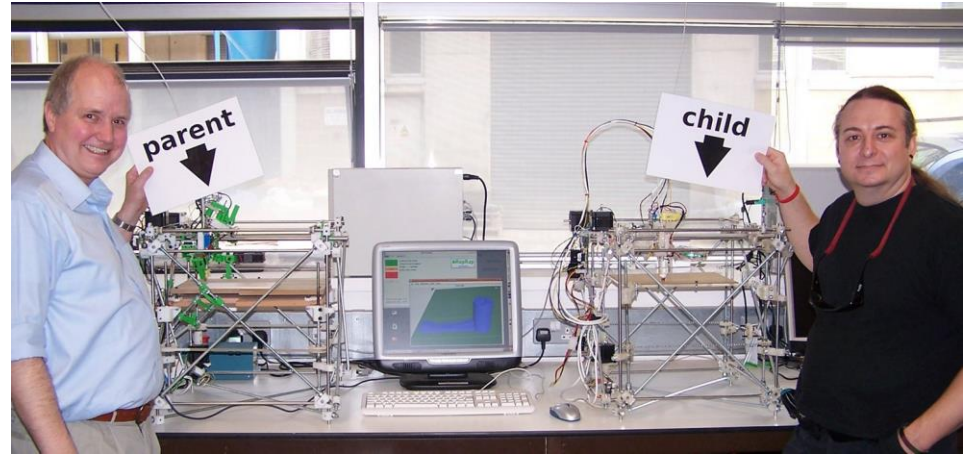
(56) References cited: EP-A- 0 735 789 US-A- 5 246 282 US-A- 5 664 007 WO-A- 96/09731 US-A- 5 617 528 US-A- 5 664 364

(1997) EP1016242

# 3D printers - 1989 vs 2010



Source: [tctmagazine.com](http://tctmagazine.com)



Source: [reprap.wiki](http://reprap.wiki)

# Patenten

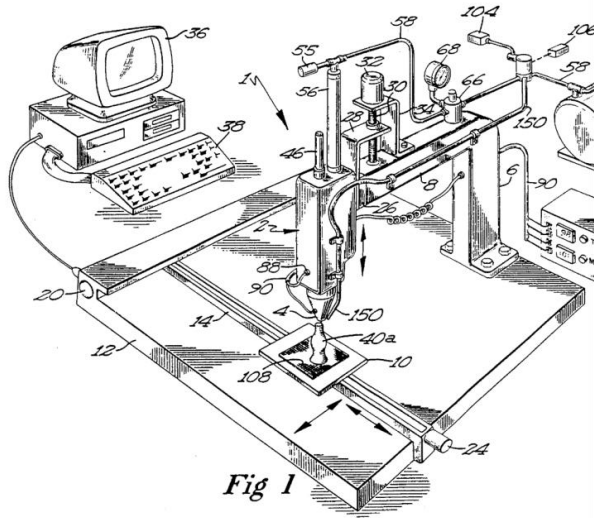


Fig 1

(1989) US5121329A

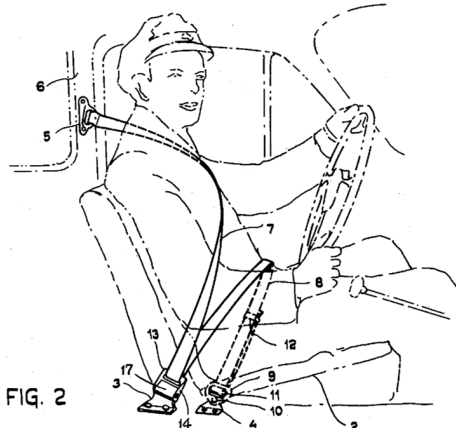




FIG. 2

(1959) US3043625A

(19)  (11)  EP 1 016 242 B1

(12) EUROPEAN PATENT SPECIFICATION

(43) Date of publication and mention of the grant of the patent: 14.03.2007 Bulletin 2007/11

(21) Application number: 98944603.9

(22) Date of filing: 15.09.1998

(51) Int. Cl.: H04L 12/29 (1996.01)

(86) International application number: PCT/SE1998/001646

(87) International publication number: WO 1999/014988 (25.03.1999 Gazette 1999/12)

(54) CONTEMPORANEOUS CONNECTIVITY TO MULTIPLE PICONETS  
GLEICHZEITIGE VERBINDUNG ZU MEHREREN PICONETZEN  
CONNECTIVITE SIMULTANEE AVEC DE MULTIPLES PICONETS

(84) Designated Contracting States: BE, DE, ES, FR, GB, GR, IT, SE

(30) Priority: 17.08.1997 US 932244

(43) Date of publication of application: 09.02.2000 Bulletin 2000/27

(73) Proprietor: TELEFONAKTIEBOLAGET LM ERICSSON (publ) 164 83 Stockholm (SE)

(72) Inventor: HARTSEN, Jacobus Niels (SE, born NL)

(74) Representative: Aukatorp, Göran Ström & Gulliksson AB P.O. Box 763 220 21 Lund (SE)

(56) References cited: EP-A- 0 735 789 US-A- 5 246 282 US-A- 5 664 007 WO-A- 96/09731 US-A- 5 617 528 US-A- 5 664 364

(1997) EP1016242

# Seat belt

*In the interests of safety, Volvo made the new seat belt design available to other car manufacturers for free; it was required on all new American vehicles from 1968 onward. Since 1959, engineers have worked to enhance the three-point belt, but the basic design remains Bohlin's. At the time of Bohlin's death in September 2002, Volvo estimated that the seat belt had saved more than one million lives in the four decades since it was introduced.*

# Patenten

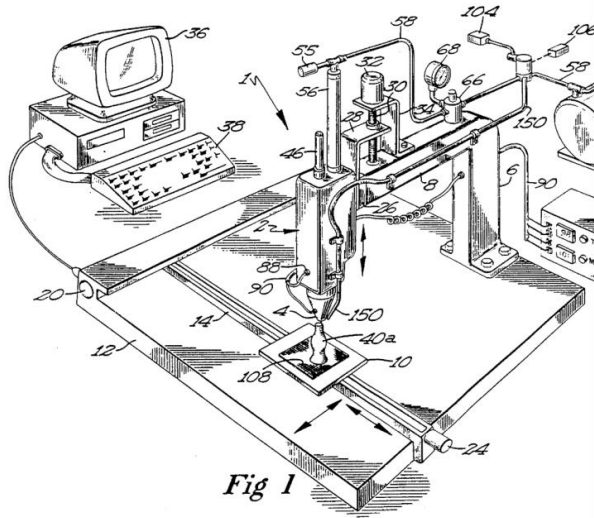


Fig 1

(1989) US5121329A

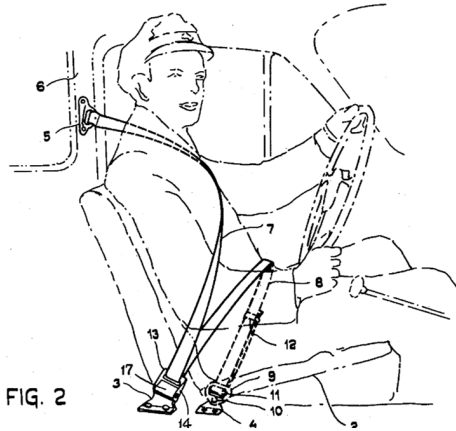




FIG. 2

(1959) US3043625A

(19)  (11)  EP 1 016 242 B1

(12) EUROPEAN PATENT SPECIFICATION

(43) Date of publication and mention of the grant of the patent: 14.03.2007 Bulletin 2007/11

(21) Application number: 98944603.9

(22) Date of filing: 15.09.1998

(51) Int. Cl.: H04L 12/29 (1996.01)

(86) International application number: PCT/SE1998/001646

(87) International publication number: WO 1999/014988 (25.03.1999 Gazette 1999/12)

(54) CONTEMPORANEOUS CONNECTIVITY TO MULTIPLE PICONETS  
GLEICHZEITIGE VERBINDUNG ZU MEHREREN PICONETZEN  
CONNECTIVITE SIMULTANEE AVEC DE MULTIPLES PICONETS

(84) Designated Contracting States: BE, DE, ES, FR, GB, GR, IT, SE

(30) Priority: 17.08.1997 US 932244

(45) Date of publication of application: 09.02.2000 Bulletin 2000/27

(73) Proprietor: TELEFONAKTIEBOLAGET LM ERICSSON (publ) 164 83 Stockholm (SE)

(72) Inventor: HARTSEN, Jacobus Niels (258, Bornse Steeg)

(74) Representative: Aukatorp, Göran Ström & Gulliksson AB P.O. Box 763 220 21 Lund (SE)

(56) References cited: EP-A- 0 735 789 US-A- 5 246 282 US-A- 5 664 007 WO-A- 96/09731 US-A- 5 617 528 US-A- 5 664 364

(1997) EP1016242

# Bluetooth



Source: [European Patent Office/Flickr](#)



# Patenten

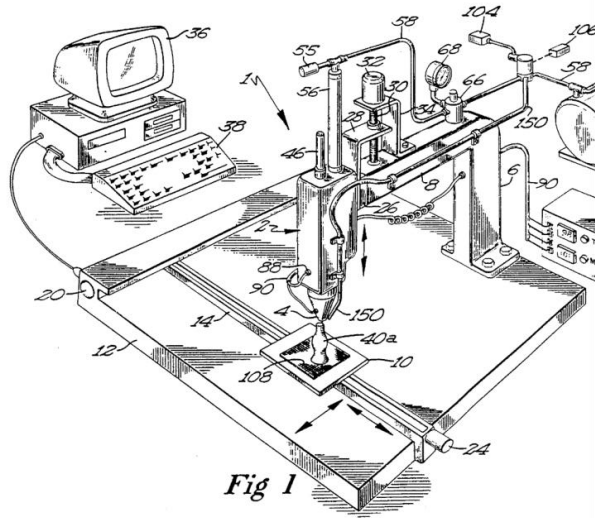


Fig 1

(1989) US5121329A

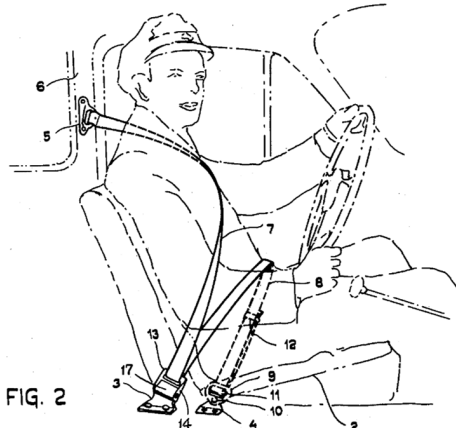




FIG. 2

(1959) US3043625A

(19)  (11)  EP 1 016 242 B1

(12) EUROPEAN PATENT SPECIFICATION

(43) Date of publication and mention of the grant of the patent: 14.03.2007 Bulletin 2007/11

(21) Application number: 98944603.9

(22) Date of filing: 15.09.1998

(51) Int. Cl.: H04L 12/29 (2006.01)

(86) International application number: PCT/SE1998/001646

(87) International publication number: WO 1999/014988 (25.03.1999 Gazette 1999/12)

(54) CONTEMPORANEOUS CONNECTIVITY TO MULTIPLE PICONETS  
GLEICHZEITIGE VERBINDUNG ZU MEHREREN PICONETZEN  
CONNECTIVITE SIMULTANEE AVEC DE MULTIPLES PICONETS

(84) Designated Contracting States: BE, DE, ES, FR, GB, GR, IT, SE

(30) Priority: 17.08.1997 US 932244

(45) Date of publication of application: 09.02.2000 Bulletin 2000/27

(73) Proprietor: TELEFONAKTIEBOLAGET LM ERICSSON (publ) 164 83 Stockholm (SE)

(72) Inventor: HARTSEN, Jacobus Niels (SE, born NL)

(74) Representative: Aukatorp, Göran Ström & Gulliksson AB P.O. Box 763 220 21 Lund (SE)

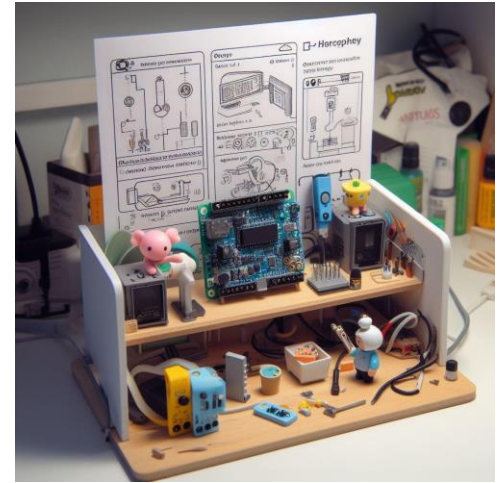
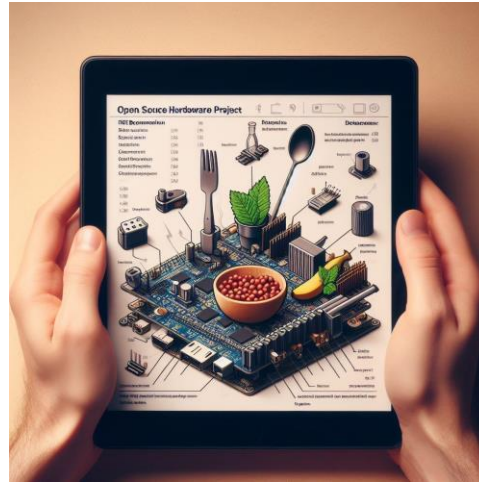
(56) References cited: EP-A-0 735 789 USA-A-5 246 282 USA-A-5 664 007 WO-A-96/09731 USA-A-5 617 528 USA-A-5 664 364

(1997) EP1016242

# Generatie van de toekomst



# Open Source



# Waarom open source?

**Voor samenwerking:** laat anderen helpen met hun vaardigheden

**Voor innovatie:** stimuleer parallelle ontwikkeling

**Voor duurzaamheid:** voorkom dat anderen dezelfde fouten maken

**Voor langdurige impact:** maak reparatie of upgrade eenvoudig

# Precious Plastic





# Precious Plastic







# Precious Plastic



# Malediven





# Huidige sorteer methodes



# Plastic Scanner



# Publieke instellingen





*Beste Jerry,*

*Dit is inderdaad een heel interessant onderwerp. Echter, wij doen dit onderzoek voor bedrijven die ons onderzoek betalen: daarom kan ik je helaas niet helpen met tips. Dat zou het vertrouwen van onze sponsors beschamen.*



# Open Hardware Academy



**Join the Open Hardware Academy!**

Make your project open source hardware in a 10 week guided programme

Visit [openhardware.academy](https://openhardware.academy) to find out more

From September 29th to December 8th



TU Delft

Library



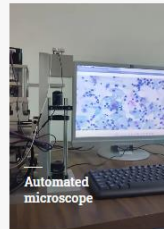
# Open Hardware Stimulation Fund



Air Quality Sensor



Plastic scanner



Automated microscope



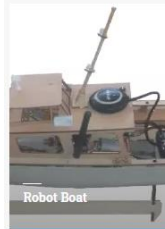
Plastic injection molding machine



Anti bike theft device



Wiggle bin



Robot Boat



SpotiStation



Midge Badge

# Delft Open Hardware



# Voor nu.

New Energy Forum



Jerry de Vos